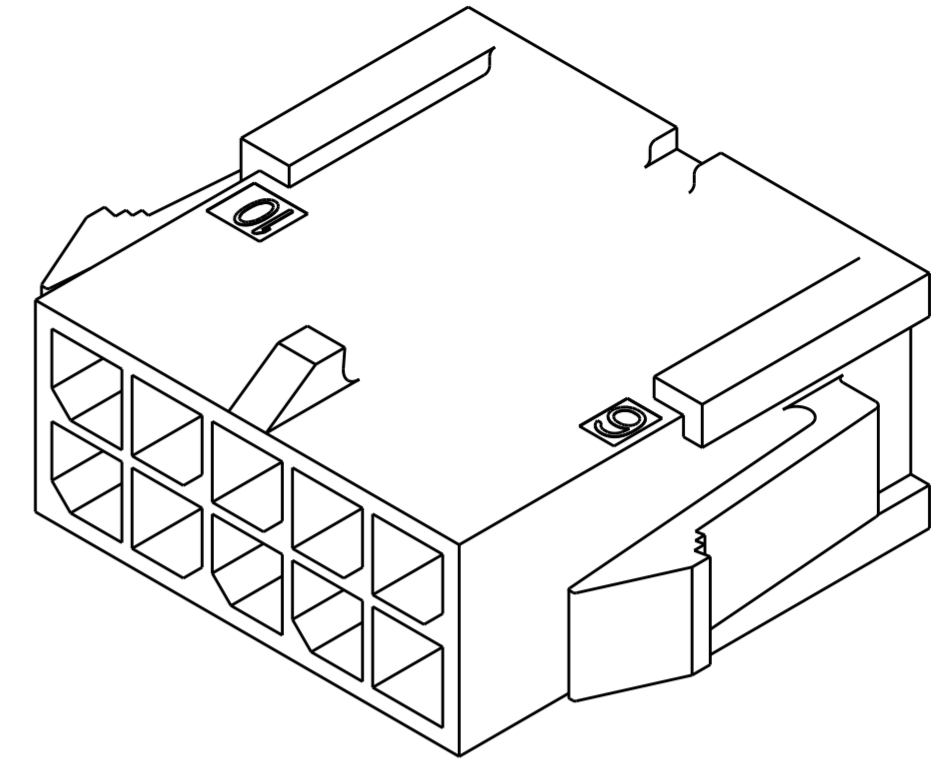
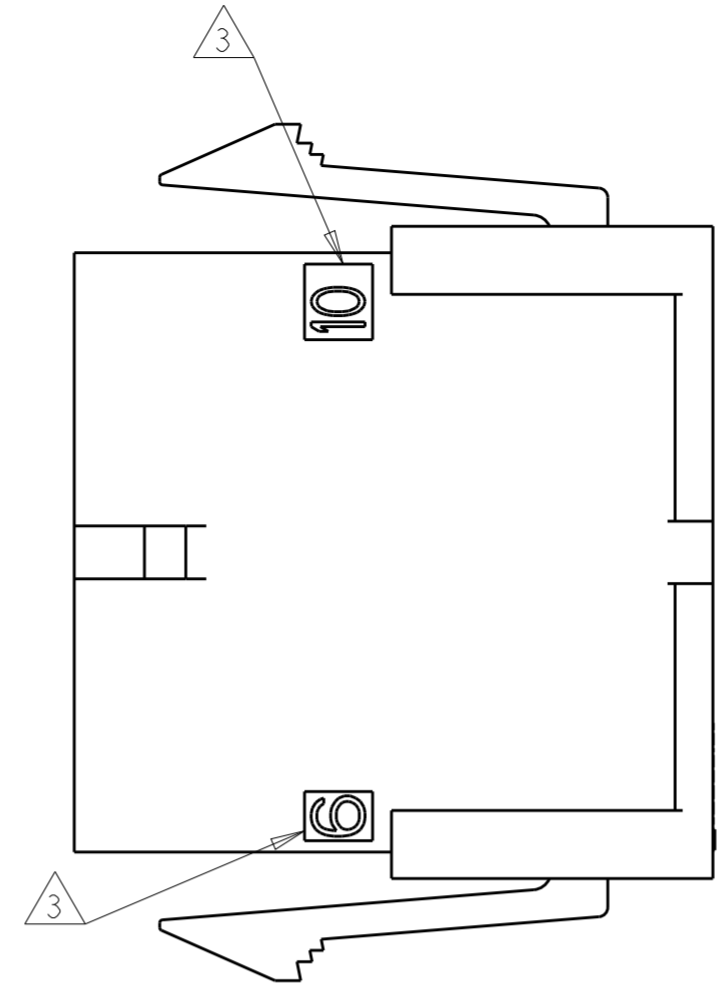


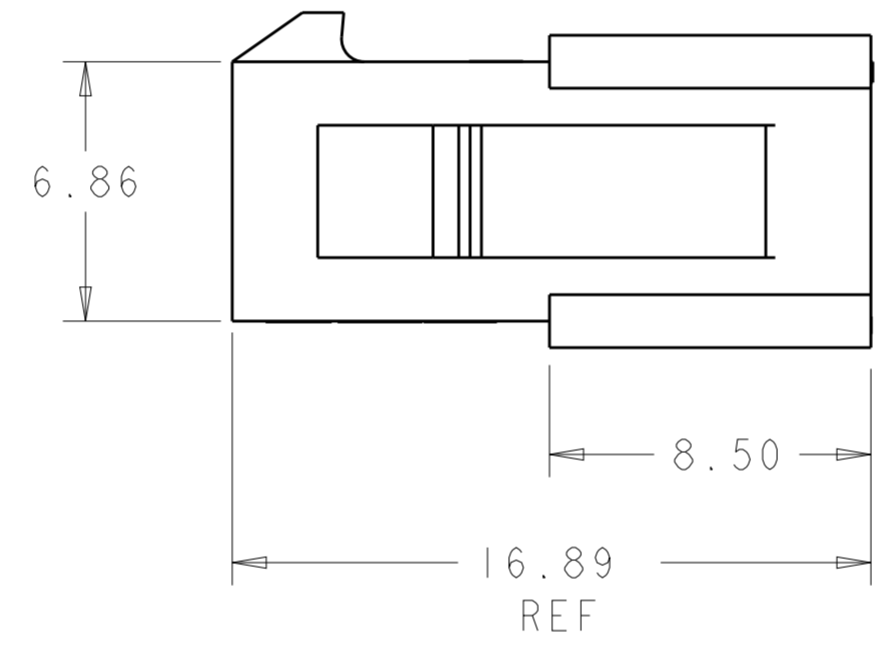
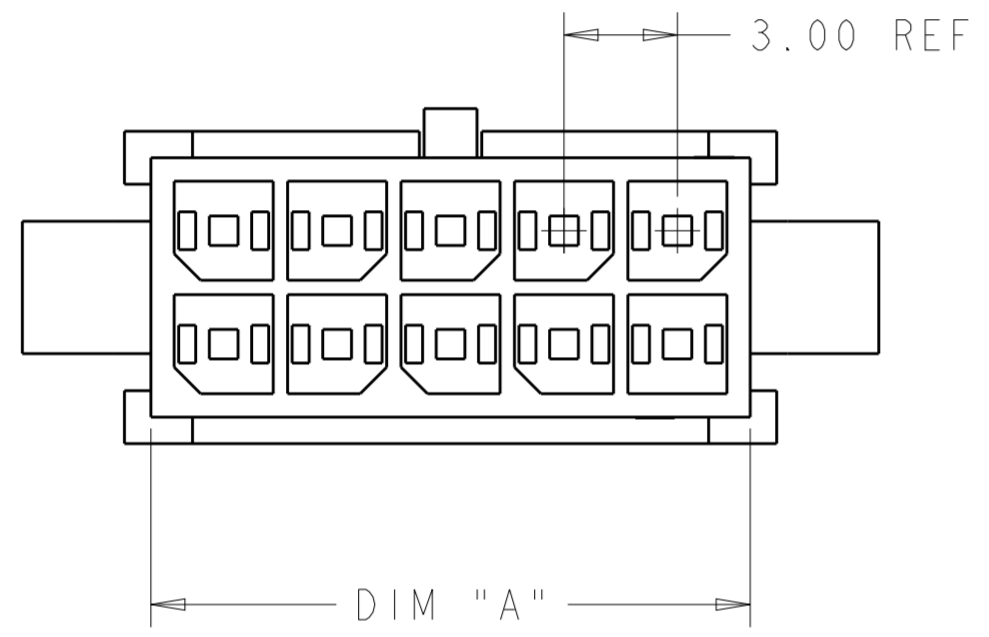
THIS DRAWING IS UNPUBLISHED. RELEASED FOR PUBLICATION 20
 © COPYRIGHT 20 BY - ALL RIGHTS RESERVED.

LOC	DIST	REVISIONS					
CM	00	P	LTR	DESCRIPTION	DATE	DWN	APVD
		P		REVISED PER ECO-11-005027	14MAR2011	RK	HMR
		PI		REVISED PER ECR-15-015291	22DEC2015	SC	ZD

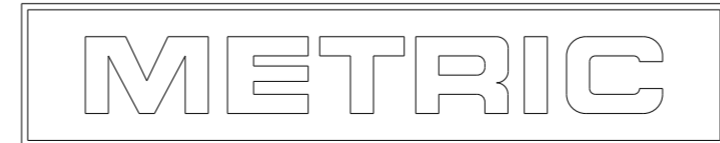
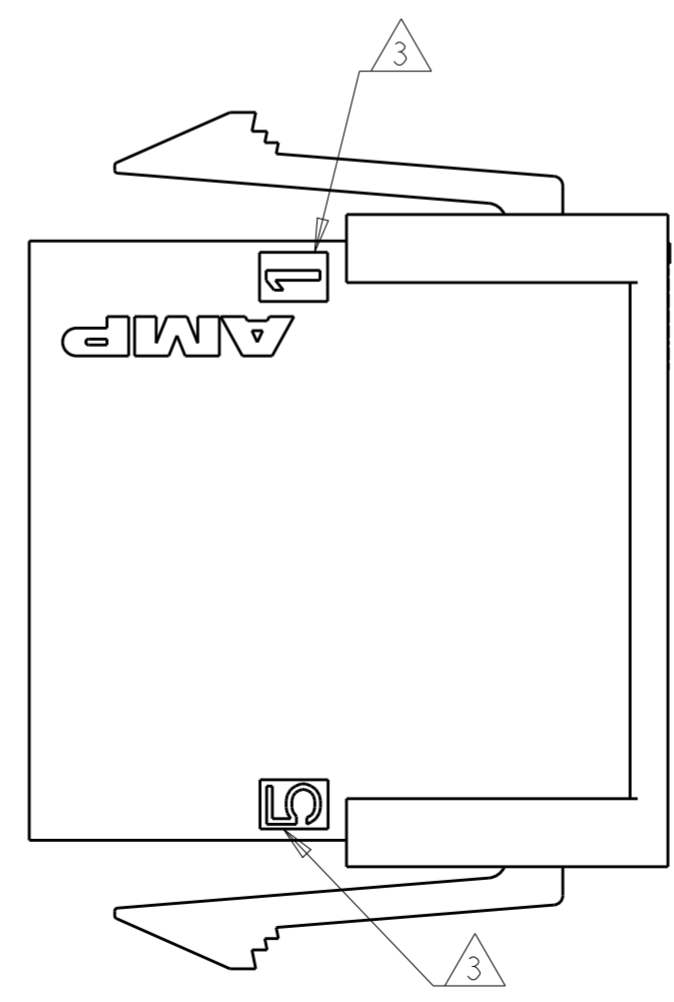
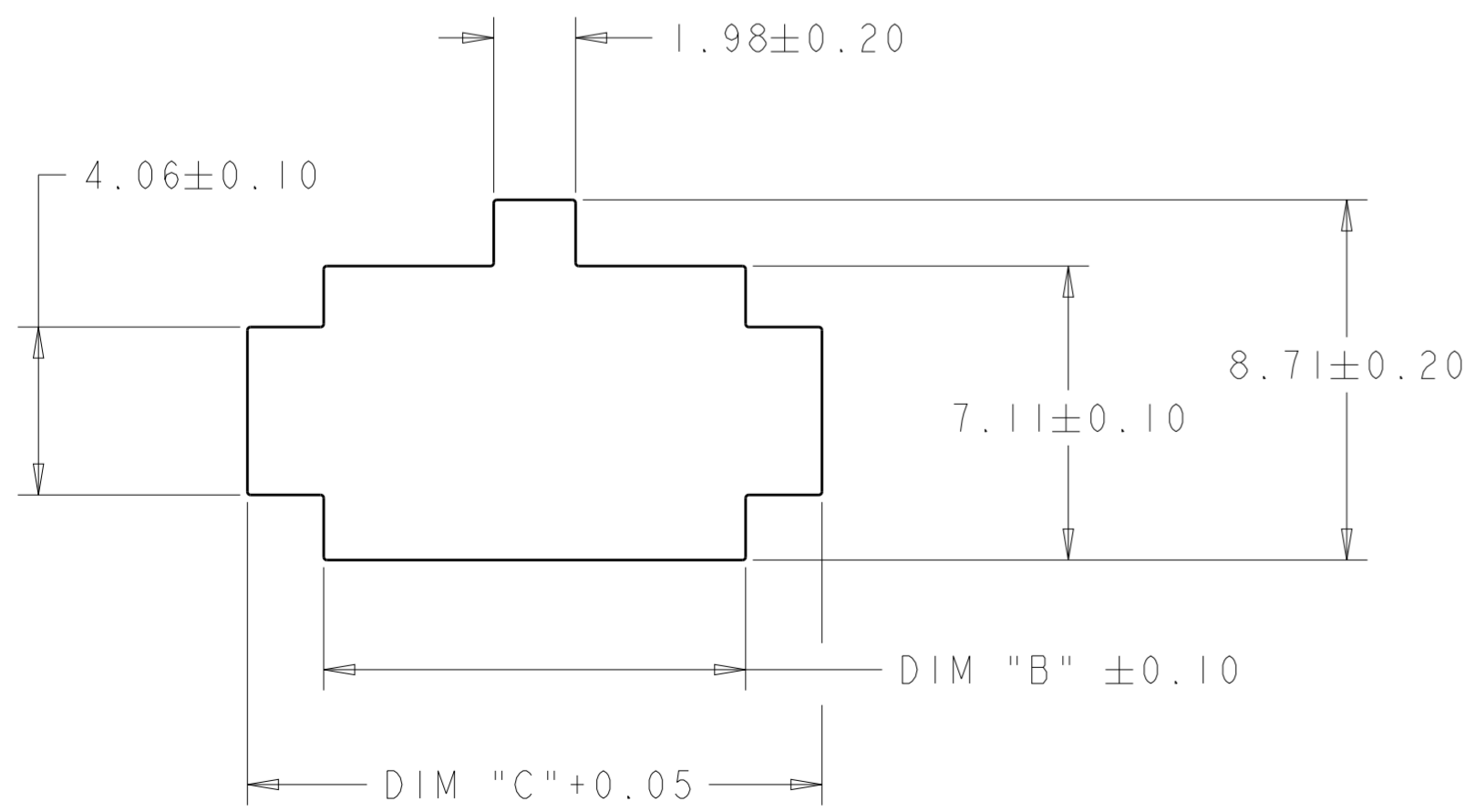
- 1 RECOMMENDED PANEL THICKNESS 1.57-2.3.
- 2. PANEL MUST BE PUNCHED SO THAT HOUSING ENTERS THE PANEL IN THE SAME DIRECTION AS THE PUNCH.
- 3 CIRCUIT IDENTIFIERS LOCATED APPROXIMATELY AS SHOWN.
- 4 MATERIAL NYLON 66/6 V0 UL94
- 5 MATERIAL PA66 V0 GW UL94.
- 6 PRELIMINARY PART NOT RELEASED FOR PRODUCTION.



SCALE 5:1



5 6	16.88	13.20	12.85	8	3-794615-8
	13.88	10.20	9.85	6	3-794615-6
	10.88	7.20	6.85	4	3-794615-4
	7.88	4.20	3.85	2	3-794615-2
4	40.88	37.20	36.85	24	2-794615-4
	37.88	34.20	33.85	22	2-794615-2
	34.88	31.20	30.85	20	2-794615-0
	31.88	28.20	27.85	18	1-794615-8
	28.88	25.20	24.85	16	1-794615-6
	25.88	22.20	21.85	14	1-794615-4
	22.88	19.20	18.85	12	1-794615-2
	19.88	16.20	15.85	10	1-794615-0
	16.88	13.20	12.85	8	794615-8
	13.88	10.20	9.85	6	794615-6
	10.88	7.20	6.85	4	794615-4
	7.88	4.20	3.85	2	794615-2
REMARK	DIM C	DIM B	DIM A	NO. OF POS.	PART NUMBER



PANEL CUT-OUT 1

THIS DRAWING IS A CONTROLLED DOCUMENT.

DIMENSIONS: mm	TOLERANCES UNLESS OTHERWISE SPECIFIED: 0 PLC ± 1 PLC ± 2 PLC ±0.13 3 PLC ± 4 PLC ± ANGLES ± FINISH	DWN W J RUDY 29AUG2000 CHK W DAVIS 29AUG2000 APVD W DAVIS 29AUG2000	TE Connectivity	
MATERIAL NYLON, BLACK	UL94V-0	PRODUCT SPEC 108-1836 APPLICATION SPEC 114-13000 WEIGHT -	NAME PLUG HOUSING, 2 to 24 POSITION DUAL ROW, PANEL MOUNT MICRO MATE-N-LOK(TM) SIZE A2 CAGE CODE 00779 DRAWING NO. C-794615 RESTRICTED TO - SCALE 6:1 SHEET 1 OF 1 REV PI	

CUSTOMER DRAWING